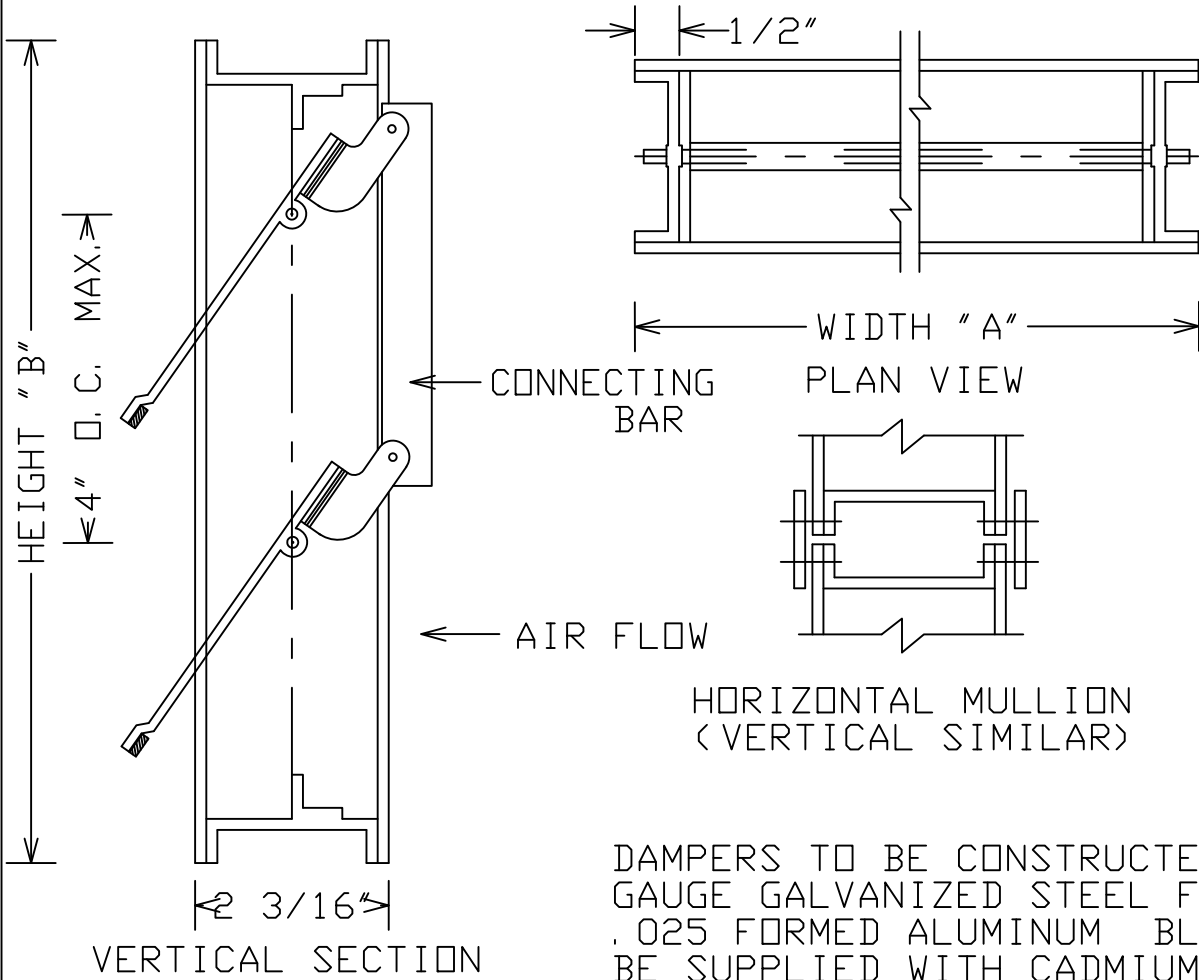


RD-290C RELIEF DAMPER



VERTICAL SECTION

NOTE: NOT RECOMMENDED FOR VELOCITIES EXCEEDING 1000 FPM

DAMPERS TO BE CONSTRUCTED OF 16 GAUGE GALVANIZED STEEL FRAMES & .025 FORMED ALUMINUM BLADES. TO BE SUPPLIED WITH CADMIUM PLATED PINS IN BRASS EYELETS. PROVIDED WITH POLYFOAM BLADE EDGING. MAXIMUM SECTION SIZE IS 36" X 72". CAN BE HORIZONTALLY MOUNTED.

ITEM	QTY.	DUCT SIZE		DAMPER SIZE		REMARKS
		A	B	A	B	

PROJECT:	DATE
LOCATION:	CONTROL NO.
CUSTOMER:	SHEET OF

LOUVERS & DAMPERS WONDER METALS CORP. REDDING CALIFORNIA