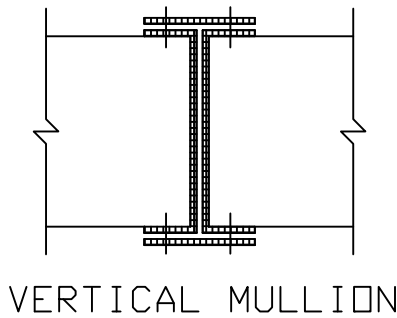
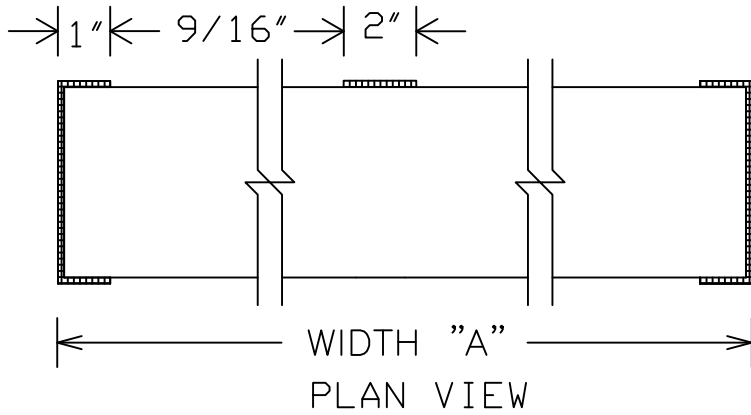
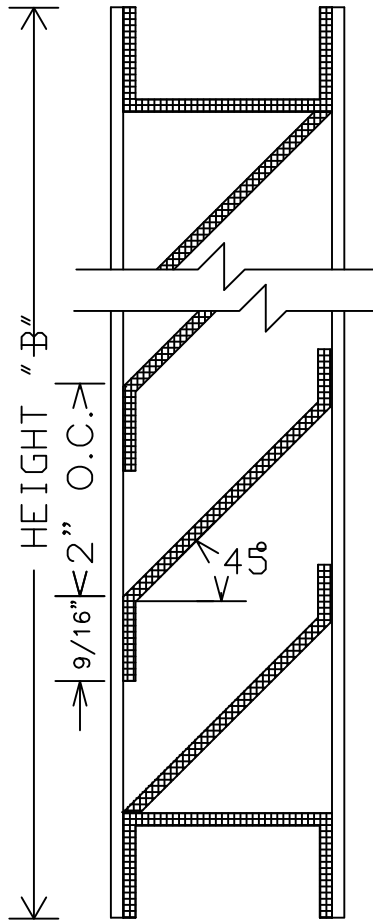
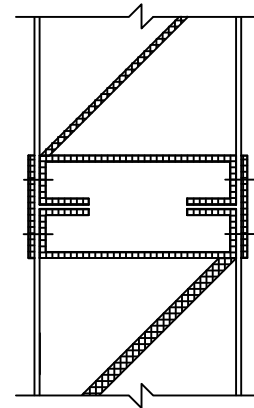


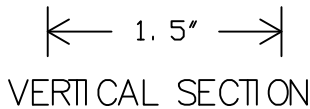
L-1545 FIXED BLADE LOUVER



VERTICAL MULLION



HORIZONTAL MULLION



VERTICAL SECTION

LOUVERS TO BE 16 GA GALVANIZED STEEL, ALL WELDED CONSTRUCTED. MAXIMUM SINGLE SECTION SIZE NOT TO EXCEED 36" X 120" OR 30 SQUARE FEET. MULLIONS TO BE SUPPLIED WHERE WIDTH IS GREATER THAN 36". FREE AREA: 47%.

ITEM	QTY.	DIMENSIONS				FINISHES	FEATURES
		OPENING		LOUVER			
		A"	B"	A"	B"		
						<input type="checkbox"/> MILL <input type="checkbox"/> PRIME COAT <input type="checkbox"/> BAKED ENAMEL? <input type="checkbox"/> CLEAR ANODIZED <input type="checkbox"/> COLOR ANODIZED <input type="checkbox"/> KYNAR <input type="checkbox"/> OTHER (SPECIFY)	
						SCREEN <input type="checkbox"/> INTERIOR <input type="checkbox"/> EXTERIOR <input type="checkbox"/> INSECT SCREEN <input type="checkbox"/> 1/4" MESH BIRD <input type="checkbox"/> 1/2" MESH BIRD <input type="checkbox"/> OTHER (SPECIFY)	<input type="checkbox"/> GALV. <input type="checkbox"/> ALUM. <input type="checkbox"/> STAINLESS <input type="checkbox"/> OTHER

PROJECT:	DATE: 7/10/00
LOCATION:	CONTROL NO:
CUSTOMER:	SHEET OF

PHONE (800) 366-5877 www.wondermetals.com FAX (530) 241-1738