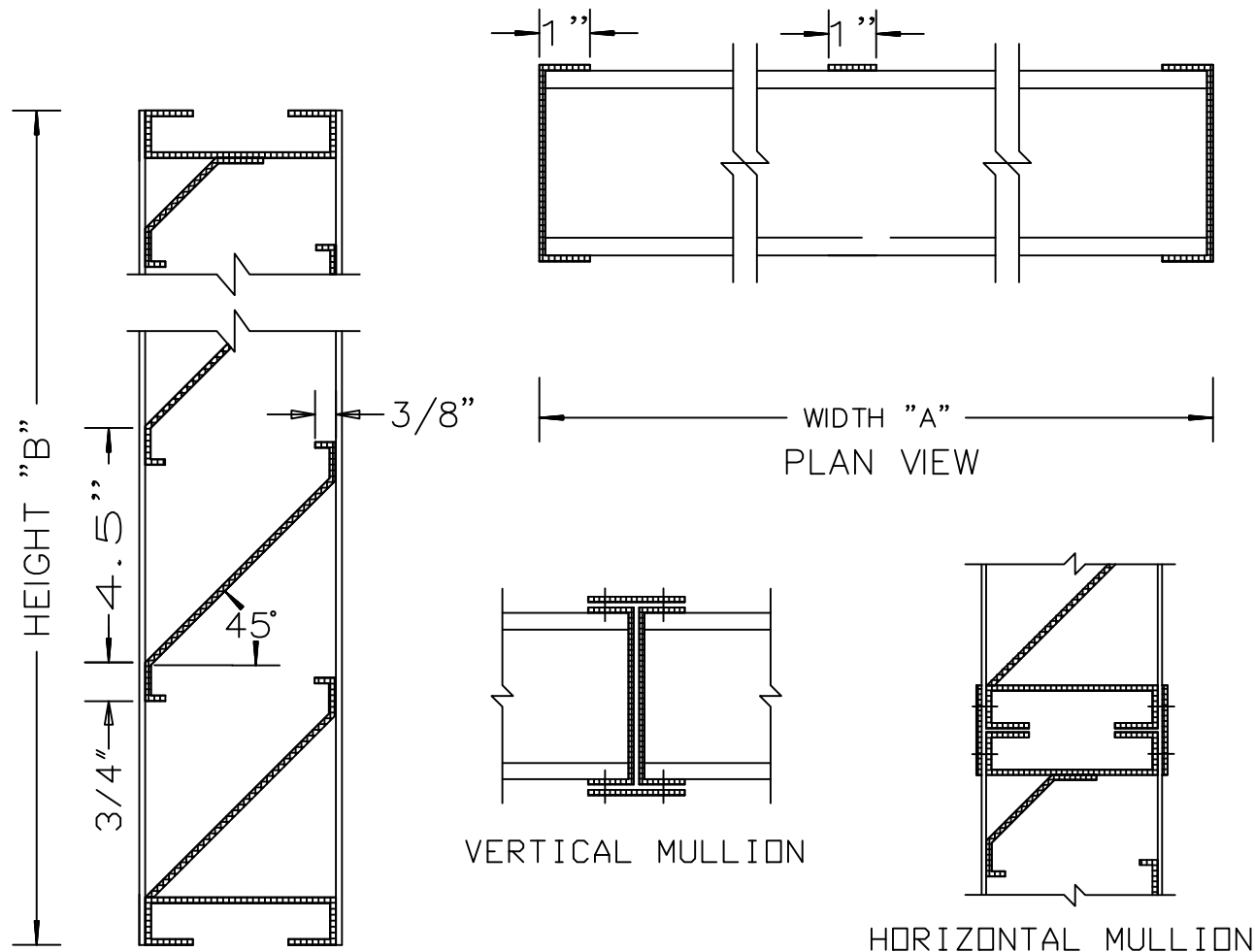


L-445 FIXED BLADE LOUVER



LOUVERS TO BE 16 GA GALVANIZED ALL WELDED CONSTRUCTED. MAXIMUM SINGLE SECTION SIZE NOT TO EXCEED 48" X 120" OR 40 SQUARE FEET. MULLIONS TO BE SUPPLIED WHERE WIDTH IS GREATER THAN 48". FREE AREA: 45%

ITEM	QTY.	DIMENSIONS				FINISHES	FEATURES
		OPENING		LOUVER			
		A	B	A	B		
						<input type="checkbox"/> MILL	
						<input type="checkbox"/> PRIME COAT	
						<input type="checkbox"/> BAKED ENAMEL	
						<input type="checkbox"/> CLEAR ANODIZED	
						<input type="checkbox"/> COLOR ANODIZED	
						<input type="checkbox"/> KYNAR	
						<input type="checkbox"/> OTHER (SPECIFY)	
						SCREEN	<input type="checkbox"/> INTERIOR <input type="checkbox"/> EXTERIOR
						<input type="checkbox"/> 18 X 14 MESH INSECT	<input type="checkbox"/> GALV
						<input type="checkbox"/> 1/4 MESH BIRD SCREEN	<input type="checkbox"/> ALUM
						<input type="checkbox"/> 1/2" MESH BIRD SCREEN	<input type="checkbox"/> STAINLESS
						<input type="checkbox"/> OTHER SPECIFY	<input type="checkbox"/> OTHER

PROJECT: _____ DATE: _____
 LOCATION: _____ CONTROL NO: _____
 CUSTOMER: _____ SHEET OF _____

PHONE (800) 366-5877 www.wondermetals.com FAX (530) 241-1738