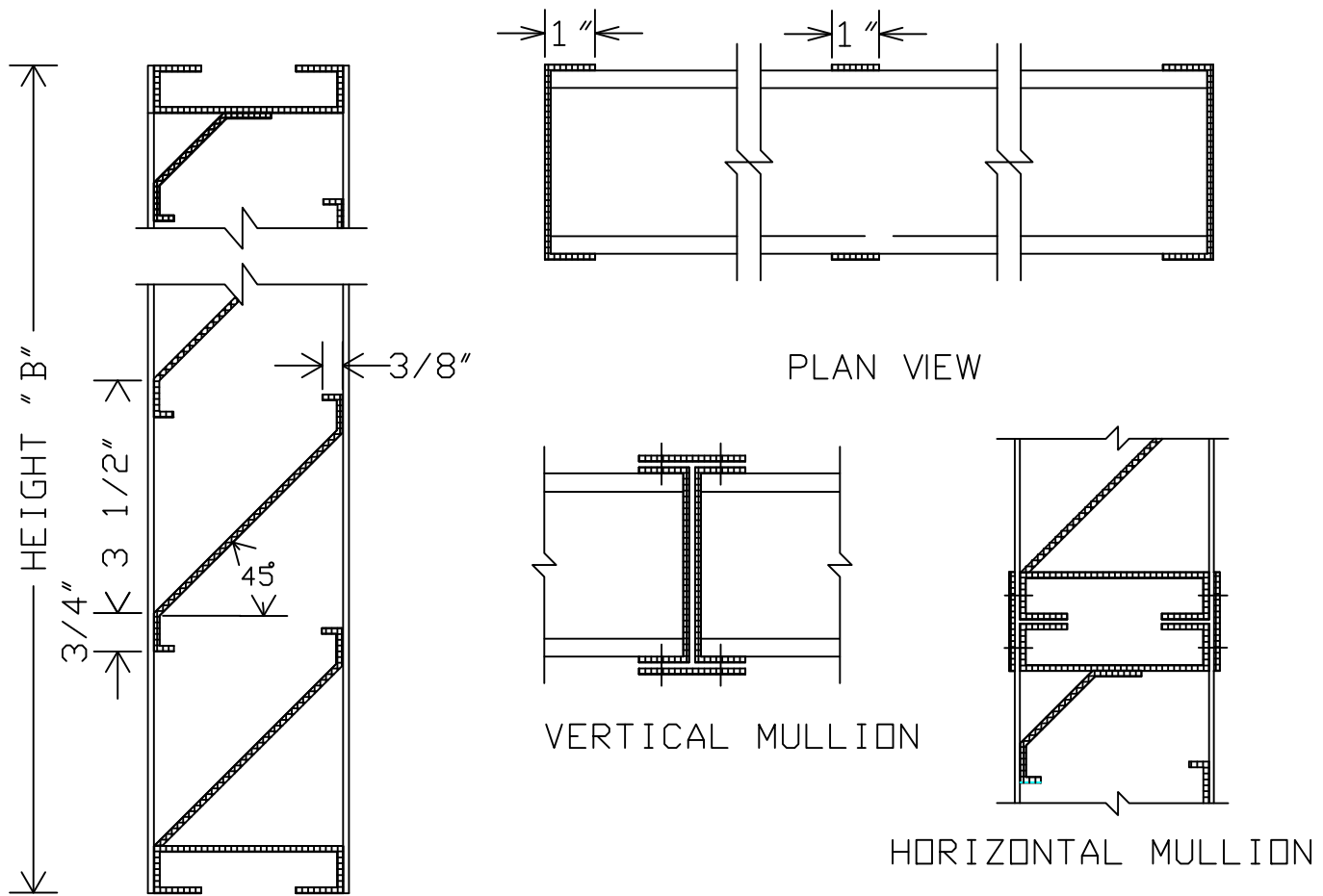


L-345 FIXED BLADE LOUVER



LOUVERS TO BE 16G_a GALVANIZED STEEL, ALL WELDED CONSTRUCTED. MAXIMUM SINGLE SECTION SIZE NOT TO EXCEED 48" X 120" OR 40 SQUARE FEET. MULLIONS TO BE SUPPLIED WHERE WIDTH IS GREATER THAN 48".
FREE AREA: 41%

VERTICAL SECTION

ITEM	QTY.	DIMENSIONS				FINISHES	FEATURES
		OPENING		LOUVER			
		A	B	A	B		
						<input type="checkbox"/> MILL <input type="checkbox"/> PRIME COAT <input type="checkbox"/> BAKED ENAMEL <input type="checkbox"/> CLEAR ANODIZED <input type="checkbox"/> COLOR ANODIZED <input type="checkbox"/> KYNAR <input type="checkbox"/> OTHER (SPECIFY)	
						<input type="checkbox"/> SCREEN <input type="checkbox"/> INTERIOR <input type="checkbox"/> EXTERIOR <input type="checkbox"/> 18 X 14 MESH INSECT <input type="checkbox"/> GALV. <input type="checkbox"/> 1/4" MESH BIRD <input type="checkbox"/> ALUM. <input type="checkbox"/> 1/2" MESH BIRD <input type="checkbox"/> STAINLESS <input type="checkbox"/> OTHER (SPECIFY) <input type="checkbox"/> OTHER	

PROJECT: _____ DATE: _____
 LOCATION: _____ CONTROL NO: _____
 CUSTOMER: _____ SHEET OF _____

PHONE (800) 366-5877 www.wondermetals.com FAX (530) 241-1738