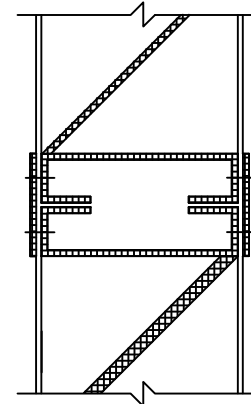
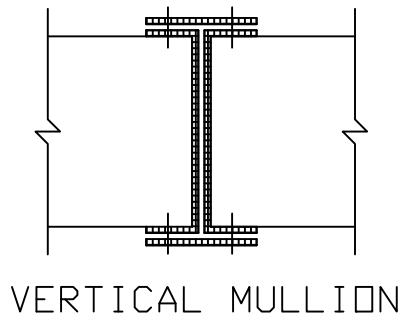
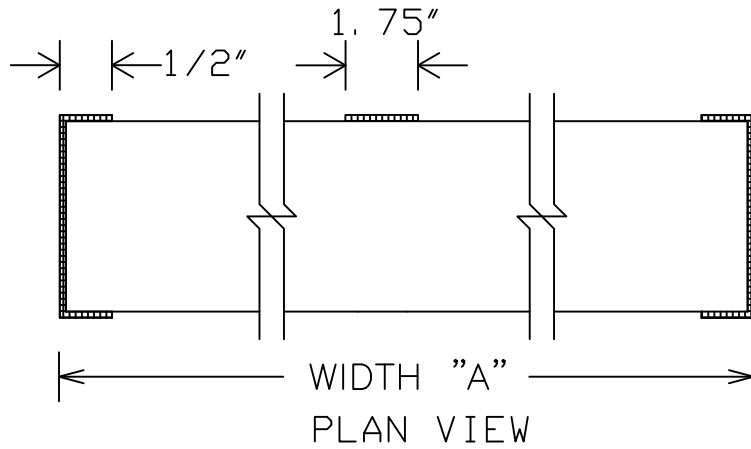
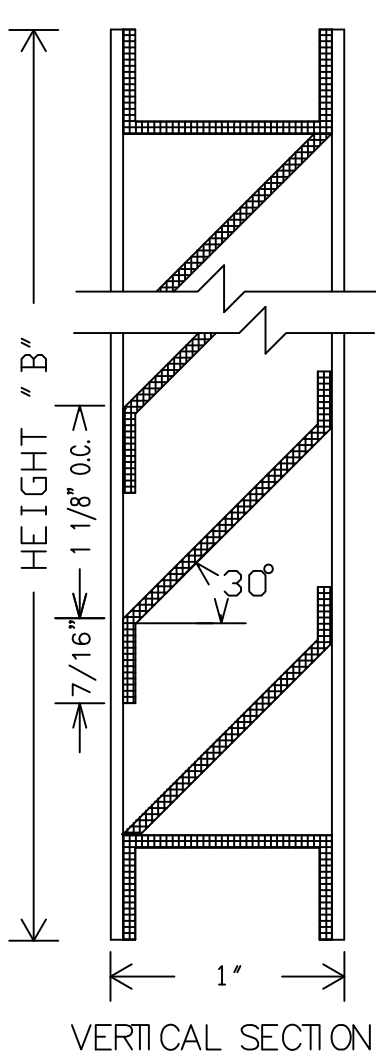


EX-130 FIXED BLADE LOUVER



LOUVERS TO BE .063 FORMED ALUMINUM, ALL WELDED CONSTRUCTION. MAXIMUM SINGLE SECTION SIZE NOT TO EXCEED 36" X 120" OR 30 SQUARE FEET. MULLIONS TO BE SUPPLIED WHERE WIDTH IS GREATER THAN 36". FREE AREA: 52%

| ITEM | QTY. | DIMENSIONS | | | | FINISHES | FEATURES |
|------|------|------------|---|--------|---|--|----------|
| | | OPENING | | LOUVER | | | |
| | | A | B | A | B | | |
| | | | | | | <input type="checkbox"/> MILL <input type="checkbox"/> PRIME COAT <input type="checkbox"/> BAKED ENAMEL <input type="checkbox"/> CLEAR ANODIZED <input type="checkbox"/> COLOR ANODIZED <input type="checkbox"/> KYNAR <input type="checkbox"/> OTHER (SPECIFY) | |
| | | | | | | SCREEN <input type="checkbox"/> INTERIOR <input type="checkbox"/> EXTERIOR <input type="checkbox"/> 18 X 14 MESH INSECT <input type="checkbox"/> GALV. <input type="checkbox"/> 1/4" MESH BIRD <input type="checkbox"/> ALUM. <input type="checkbox"/> 1/2" MESH BIRD <input type="checkbox"/> STAINLESS <input type="checkbox"/> OTHER (SPECIFY) <input type="checkbox"/> OTHER | |

PROJECT:
LOCATION:
CUSTOMER:

DATE:
CONTROL NO:
SHEET OF

PHONE (800) 366-5877

www.wondermetals.com

FAX (530) 241-1738

LOUVERS
&
DAMPERS

WONDER METALS CORP.

REDDING
CALIFORNIA