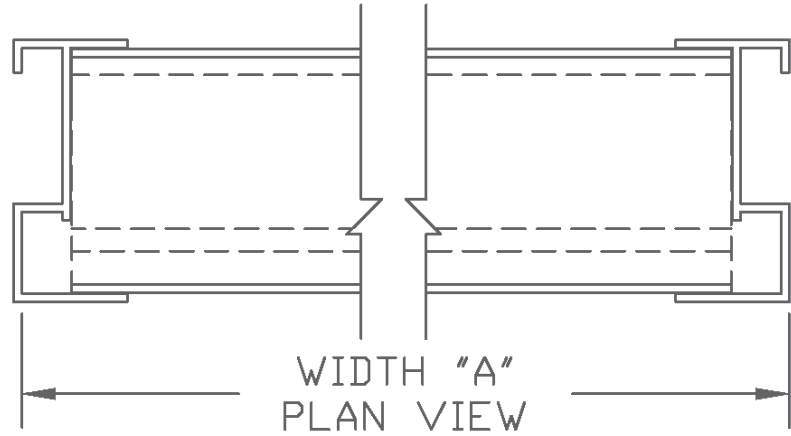
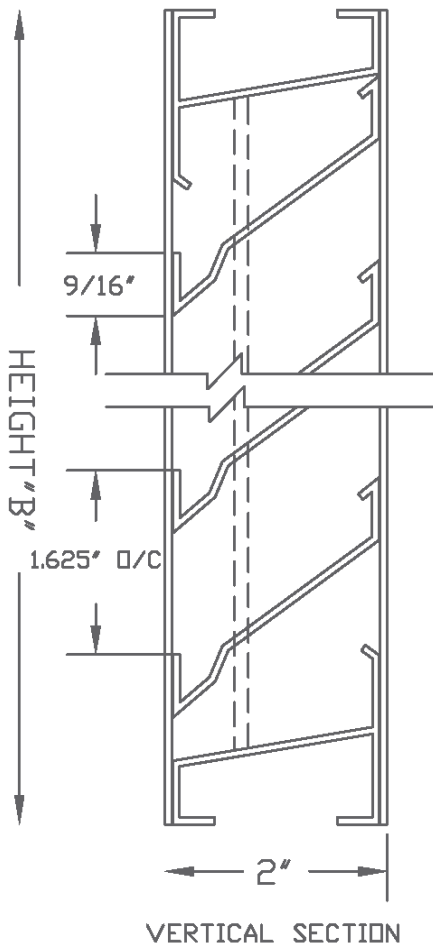


WMC MO. EXSDL-2



LOUVER TO BE .063 EXTRUDED ALUMINUM, ALL WELDED CONSTRUCTION FIXED DRAINABLE BLADE. MAXIMUM SINGLE SECTION SIZE NOT TO EXCEED 36" X 120" OR 30 SQUARE FEET. MULLIONS TO BE SUPPLIED WHERE WIDTH IS GREATER THAN 36". FREE AREA: 48%

AMCA 511 RESULTS
W/P .01oz @ 681 FPM
P.S .08 @ 700 FPM

| ITEM | QTY. | DIMENSIONS | | | | FINISHES | | FEATURES | |
|------|------|------------|---|--------|---|---|--|----------|--|
| | | OPENING | | LOUVER | | <input type="checkbox"/> MILL <input type="checkbox"/> PRIME COAT <input type="checkbox"/> BAKED ENAMEL <input type="checkbox"/> CLEAR ANODIZED <input type="checkbox"/> COLOR ANODIZED <input type="checkbox"/> KYNAR <input type="checkbox"/> POWDER COAT | | | |
| | | A | B | A | B | | | | |
| | | | | | | | | | |
| | | | | | | | | | |
| | | | | | | | | | |
| | | | | | | | | | |
| | | | | | | | | | |
| | | | | | | | | | |
| | | | | | | | | | |
| | | | | | | | | | |
| | | | | | | | | | |
| | | | | | | | | | |
| | | | | | | | | | |
| | | | | | | | | | |
| | | | | | | | | | |
| | | | | | | | | | |

| | |
|-----------|-------------|
| PROJECT: | DATE: |
| LOCATION: | CONTROL NO: |
| CUSTOMER: | SHEET OF |

PHONE < 800 > 366-5877 www.wondermetals.com FAX < 530 > 241-1738

Wonder Metals Corp. certifies that the louver model SDL-2 shown herein is licensed to bear the AMCA Seal. The ratings shown are based on tests and procedures performed in accordance with AMCA Publication 511 and comply with the requirements of the AMCA Certified Ratings Program. The AMCA Certified Ratings Seal applies to air performance ratings and water penetration ratings only.



AMCA ratings seal applies to Air Performance and Water Penetration ratings tested in accordance with ANSI/AMCA 500-L Figure 5.5 -6.3

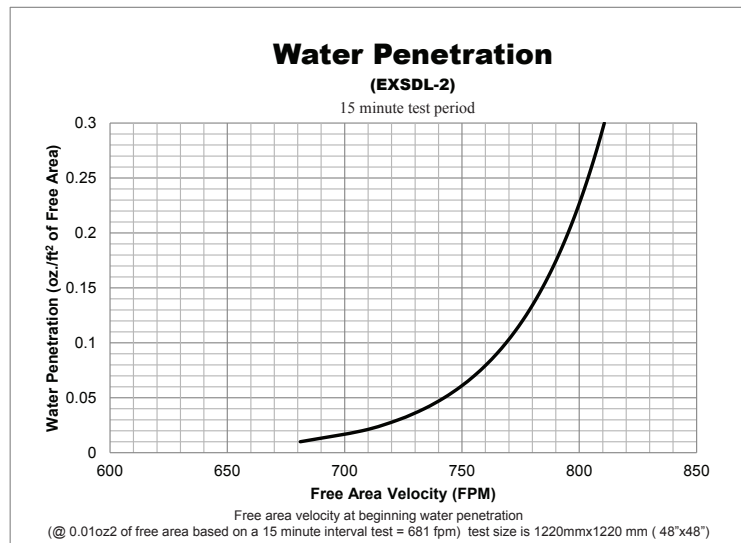
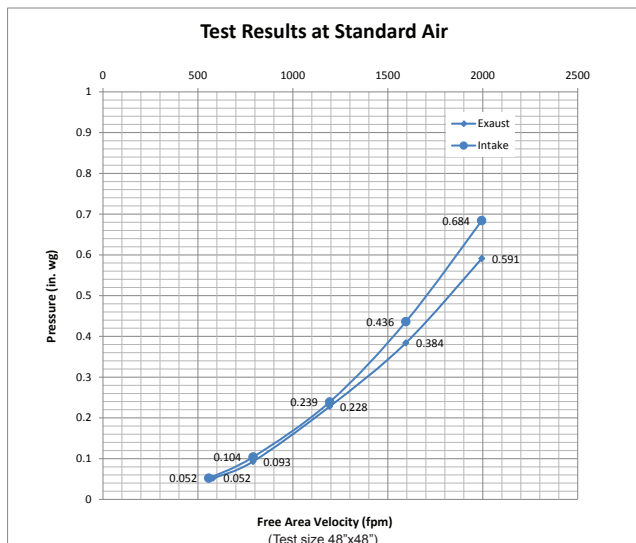
Published louver performance data bearing AMCA Certified Ratings Seal for Air Performance & Water Penetration must be submitted for approval prior to fabrication and must demonstrate pressure drop and water penetration equal to or less than WMC model specified.

| | | WIDTH | | | | | | | | | | | | | | | | | | |
|--------|------|-------|------|-------|-------|-------|-------|-------------|-------|-------|-------|-------|-------|-------|-------|-------|-------|-------|-------|-------|
| | | 12 | 18 | 24 | 30 | 36 | 42 | 48 | 54 | 60 | 66 | 72 | 78 | 84 | 90 | 96 | 102 | 108 | 114 | 120 |
| HEIGHT | 12 | 0.38 | 0.57 | 0.76 | 0.95 | 1.14 | 1.33 | 1.51 | 1.70 | 1.89 | 2.08 | 2.27 | 2.46 | 2.65 | 2.84 | 3.03 | 3.22 | 3.40 | 3.59 | 3.78 |
| | 18 | 0.60 | 0.90 | 1.20 | 1.50 | 1.80 | 2.10 | 2.42 | 2.71 | 3.01 | 3.32 | 3.62 | 3.92 | 4.22 | 4.52 | 4.83 | 5.13 | 5.43 | 5.73 | 6.04 |
| | 24 | 0.86 | 1.29 | 1.72 | 2.15 | 2.58 | 3.01 | 3.48 | 3.89 | 4.33 | 4.76 | 5.20 | 5.63 | 6.06 | 6.50 | 6.93 | 7.37 | 7.80 | 8.24 | 8.67 |
| | 30 | 1.10 | 1.65 | 2.20 | 2.75 | 3.30 | 3.85 | 4.40 | 4.95 | 5.50 | 6.05 | 6.60 | 7.15 | 7.70 | 8.25 | 8.80 | 9.35 | 9.90 | 10.45 | 11.00 |
| | 36 | 1.35 | 2.03 | 2.70 | 3.38 | 4.05 | 4.73 | 5.46 | 6.11 | 6.79 | 7.47 | 8.15 | 8.84 | 9.52 | 10.20 | 10.88 | 11.56 | 12.24 | 12.92 | 13.60 |
| | 42 | 1.58 | 2.36 | 3.15 | 3.93 | 4.72 | 5.50 | 6.38 | 7.13 | 7.92 | 8.72 | 9.51 | 10.31 | 11.10 | 11.89 | 12.69 | 13.48 | 14.28 | 15.07 | 15.87 |
| | 48 | 1.80 | 2.70 | 3.60 | 4.50 | 5.40 | 6.30 | 6.93 | 8.15 | 9.05 | 9.96 | 10.87 | 11.78 | 12.69 | 13.60 | 14.51 | 15.41 | 16.32 | 17.23 | 18.14 |
| | 54 | 2.07 | 3.11 | 4.14 | 5.18 | 6.21 | 7.25 | 8.11 | 9.36 | 10.40 | 11.45 | 12.49 | 13.54 | 14.58 | 15.62 | 16.67 | 17.71 | 18.75 | 19.80 | 20.84 |
| | 60 | 2.30 | 3.56 | 4.70 | 5.92 | 7.12 | 8.32 | 9.04 | 10.72 | 11.91 | 13.11 | 14.31 | 15.51 | 16.71 | 17.91 | 19.11 | 20.31 | 21.51 | 22.71 | 23.91 |
| | 66 | 2.59 | 3.88 | 5.17 | 6.46 | 7.75 | 9.04 | 9.97 | 11.64 | 12.93 | 14.22 | 15.52 | 16.81 | 18.10 | 19.40 | 20.69 | 21.98 | 23.28 | 24.57 | 25.86 |
| | 72 | 2.80 | 4.23 | 5.64 | 7.06 | 8.48 | 9.90 | 10.91 | 12.71 | 14.13 | 15.54 | 16.96 | 18.37 | 19.79 | 21.20 | 22.62 | 24.03 | 25.45 | 26.86 | 28.28 |
| | 78 | 3.05 | 4.60 | 6.13 | 7.67 | 9.21 | 10.69 | 11.84 | 13.75 | 15.28 | 16.80 | 18.33 | 19.86 | 21.38 | 22.91 | 24.43 | 25.96 | 27.49 | 29.01 | 30.54 |
| | 84 | 3.29 | 4.97 | 6.62 | 8.29 | 9.95 | 11.52 | 12.78 | 14.89 | 16.55 | 18.20 | 19.86 | 21.51 | 23.16 | 24.82 | 26.47 | 28.13 | 29.78 | 31.44 | 33.09 |
| | 90 | 3.53 | 5.34 | 7.11 | 8.90 | 10.69 | 12.60 | 13.71 | 16.14 | 17.94 | 19.74 | 21.54 | 23.34 | 25.15 | 26.95 | 28.75 | 30.55 | 32.35 | 34.16 | 35.96 |
| | 96 | 3.78 | 5.71 | 7.60 | 9.52 | 11.43 | 13.44 | 14.65 | 17.20 | 19.12 | 21.04 | 22.96 | 24.88 | 26.79 | 28.71 | 30.63 | 32.55 | 34.47 | 36.38 | 38.30 |
| | 102 | 4.02 | 6.08 | 8.09 | 10.13 | 12.17 | 14.20 | 15.58 | 18.23 | 20.26 | 22.29 | 24.31 | 26.34 | 28.37 | 30.40 | 32.42 | 34.45 | 36.48 | 38.51 | 40.80 |
| 108 | 4.26 | 6.45 | 8.58 | 10.75 | 12.91 | 15.06 | 16.51 | 19.38 | 21.54 | 23.70 | 25.86 | 28.02 | 30.18 | 32.34 | 34.50 | 36.66 | 38.82 | 40.97 | 43.13 | |
| 114 | 4.51 | 6.82 | 9.12 | 11.43 | 13.73 | 16.04 | 17.45 | 20.62 | 22.92 | 25.22 | 27.52 | 29.82 | 32.12 | 34.42 | 36.72 | 39.02 | 41.32 | 43.62 | 45.92 | |
| 120 | 4.80 | 7.19 | 9.60 | 12.00 | 14.40 | 16.80 | 18.38 | 21.60 | 24.01 | 26.41 | 28.81 | 31.21 | 33.61 | 36.01 | 38.41 | 40.82 | 43.22 | 45.62 | 48.02 | |

Free Area Chart

AMCA Standard 500 provides a reasonable basis for testing and rating louvers. Testing to AMCA 500 is performed under a certain set of laboratory conditions. This does not guarantee that other conditions will not occur in the actual environment where louvers must operate.

The louver system should be designed with a reasonable safety factor for louver performance. To ensure protection from water carryover, design with a performance level somewhat below maximum desired pressure drop and .01 oz./sq. ft. of water penetration.



Wonder Metals certifies that WMC model EXSDL-2 is licensed to bear the AMCA seal. The ratings shown are based on test and procedures performed in accordance with AMCA Publication 511 and comply with the requirements of the AMCA certified ratings