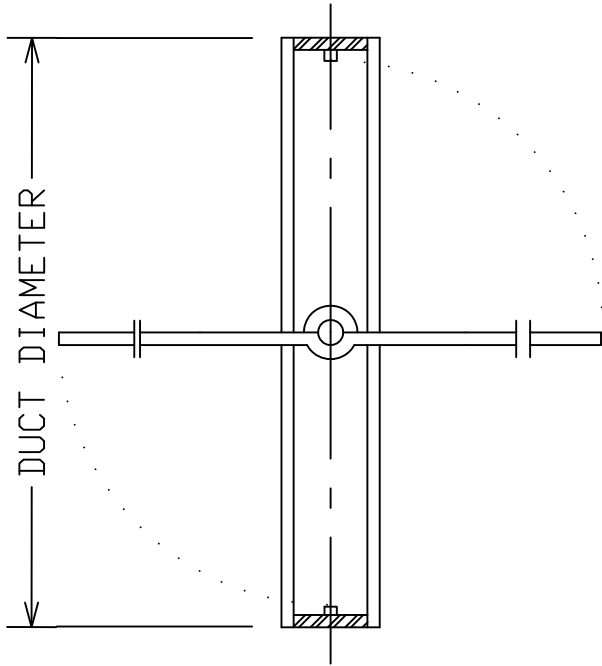
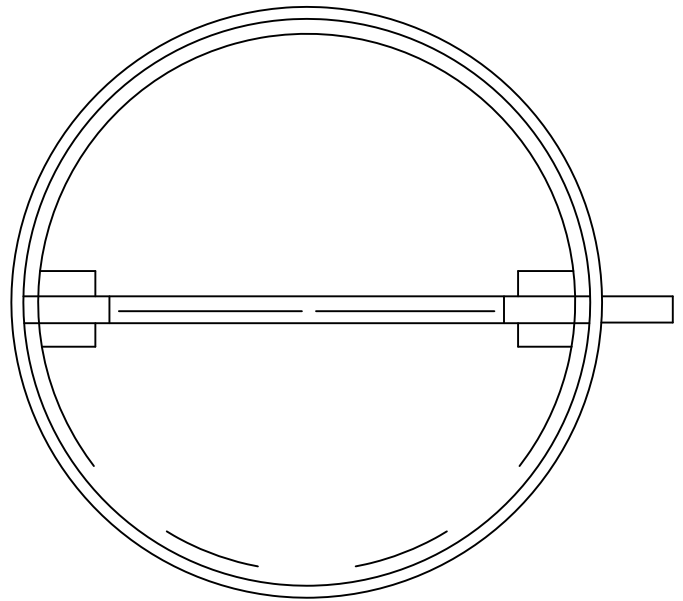


D-1R VOLUME DAMPER



VERTICAL SECTION (OPEN)



FRONT VIEW (CLOSED)

DAMPERS TO BE CONSTRUCTED OF 16 GAUGE GALVANIZED STEEL BLADES AND 12 GAUGE HOT ROLLED STEEL FRAME.

FRAME IS ROLLED TO SIZE AND WELDED FULL. BLADES ARE FORMED TO FIT INTO ROUND SECTION. SIDE TOLERANCE .0625". 1/2" SELF-LUBRICATING BRONZE DILITE BEARINGS WITH 1/2" PLATED SHAFT. BLADE STOPS ARE HOT ROLLED STEEL FLAT BAR 5/16" X 5/16" WELDED TO FRAME ON 6" CENTERS. TRULY ALIGNED TO BLADE. MINIMUM DIAMETER IS 5". FINISH TO BE SPRAYED ALUMINUM.

ITEM	QTY.	DUCT SIZE		DAMPER SIZE		REMARKS
		A	B	A	B	

PROJECT:	DATE
LOCATION:	CONTROL NO.
CUSTOMER:	SHEET OF

LOUVERS & DAMPERS
REDDING CALIFORNIA
WONDER METALS CORP.